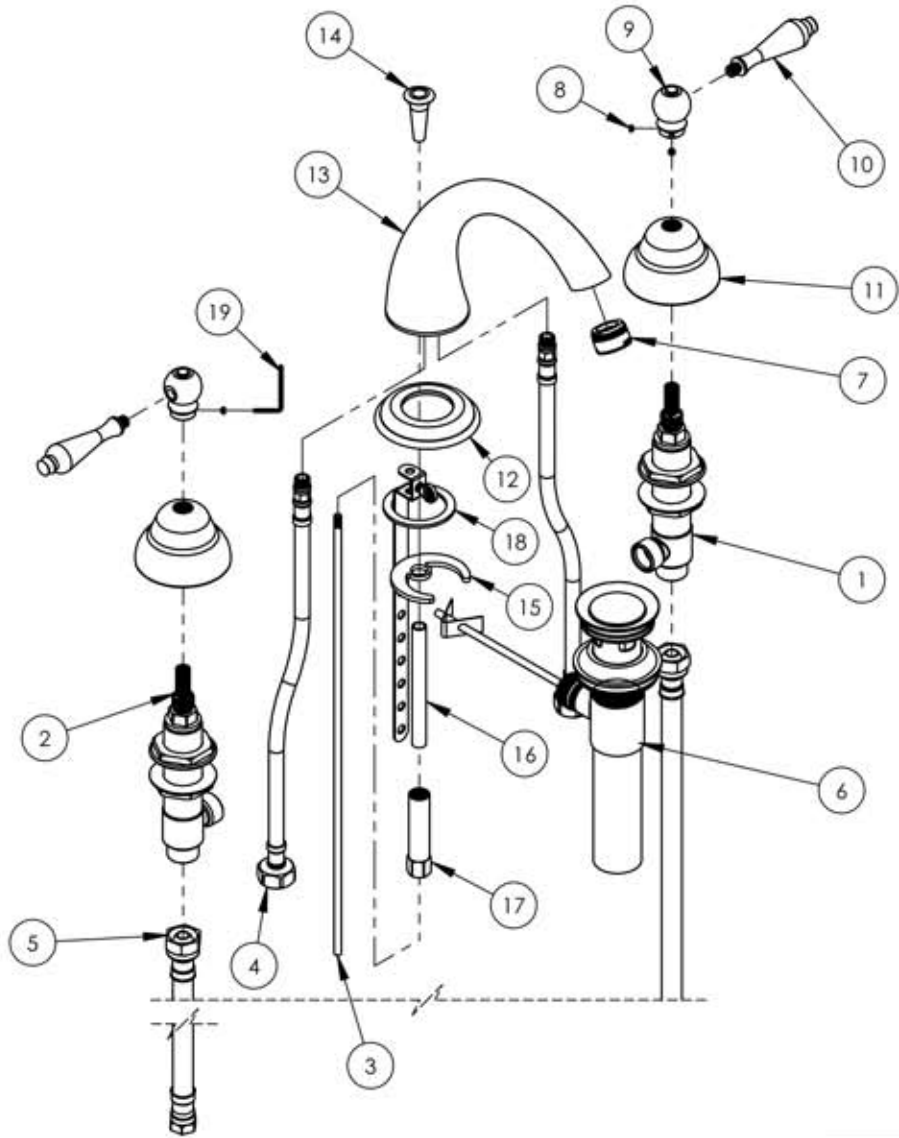


A

B

C

D



ITEM NO.	PART NUMBER	DESCRIPTION	QTY.
1	1-109	WIDESPREAD VALVE COLD LAV 16PT	1
	10716	VALVE BODY, WIDESPREAD LAV	1
	10248	INTERNAL SEAT FOR WIDESPREAD	1
	90013	O-RING, 7/16"ID X 9/16"OD X 1/16"THK, AS-568-013	1
	10235	CARTRIDGE, VALVE 1/2"G W/ 16PT COLD LEAD FREE	1
	92037-BL	NUT, FLANGED 1"-20 THREAD	2
2	1-110	WIDESPREAD VALVE HOT LAV 16PT	1
	10716	VALVE BODY, WIDESPREAD LAV	1
	10248	INTERNAL SEAT FOR WIDESPREAD	1
	90013	O-RING, 7/16"ID X 9/16"OD X 1/16"THK, AS-568-013	1
	10236	CARTRIDGE, VALVE 1/2"G W/ 16PT HOT LEAD FREE	1
	92037-RD	NUT, FLANGED 1"-20 THREAD	2
3	10719/00	POP-UP ROD, 10-24, 14" LONG	1
4	10720	HOSE, M10 TO 1/2"NPSM.950	2
5	10983	HOSE, 3/8" COMP. X 1/2" NPSM - 24"L	2
6	3-046/00	POP-UP DRAIN ASSEMBLY (2-101, 2-102)	1
	10790	BODY, POP-UP DRAIN	1
	92091	PLASTIC GASKET	1
	92089	MOUNTING NUT, DRAIN ASSY.	1
	92090	NYLON WASHER	1
	90505	CONICAL GASKET, RUBBER	1
	90506	RIM GASKET DRAIN	1
	10791	DRAIN RIM	1
	10796	STOPPER ROD	1
	10795	GUIDE, POP-UP DRAIN	1
	10792	STOPPER DRAIN	1

E

ZONE	REV.	DESCRIPTION	DATE	APPROVED
------	------	-------------	------	----------

REVISIONS

1261 LOGAN AVENUE  
COSTA MESA, CALIFORNIA 92626  
PHONE: 714.361.4800  
FAX: 714.617.3120

# PHYLIRICH®

Defining Luxury Since 1959

**PROPRIETARY AND CONFIDENTIAL**

THE INFORMATION CONTAINED IN THIS DRAWING IS THE SOLE PROPERTY OF RSS MANUFACTURING. ANY REPRODUCTION IN PART OR AS A WHOLE WITHOUT THE WRITTEN PERMISSION OF RSS MANUFACTURING IS PROHIBITED.

-	-	INTERPRET GEOMETRIC DIMENSIONING & TOLERANCING IN ACCORDANCE WITH ASME Y14.5-2009 & ASME Y14.41-2003 STANDARDS, UNLESS OTHERWISE SPECIFIED. DIMENSIONS ARE IN INCHES. TOLERANCES ARE:		
NEXT ASSY	USED ON	FRACTIONS ±1/64"	DECIMALS X.X: ±.1 X.XX: ±.01 X.XXX: ±.005	ANGULAR ±.5°
APPLICATION		MATERIAL	NAME	DATE
FINISH		DRAWN	LLO	9/9/2013
DO NOT SCALE DRAWING		CHECKED	GRE	

WIDESPREAD FAUCET, REVERE & SAVANNAH, LEVER HANDLE (100-01/00)

SIZE ASM/PRT NO. REV  
**A** D200/00 -

SCALE: 1:5 WEIGHT: lbs. SHEET 1 OF 3

5

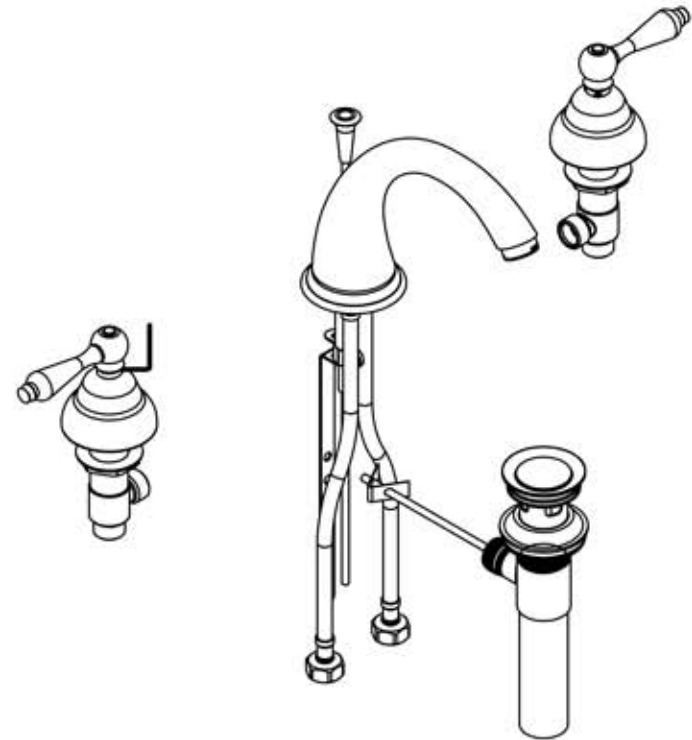
4

3

2

1

ITEM NO.	PART NUMBER	DESCRIPTION	QTY.	
	90507	GASKET, STOPPER DRAIN (O-RING)	1	
	90508	GASKET, BALL ROD	1	
A	10794	BALL ROD	1	
	92088	NUT, BALL ROD	1	
	10793	TAIL TUBE	1	
	92092	CLIP POP-UP	1	
	90529	RUBBER WASHER, DRAIN ASSY. FOR BALL ROD	1	
	92198	BRASS NUT, M6X1.0, FOR STOPPER ROD DRAIN ASSY.	1	
	92199	STEEL STRAP FOR DRAIN ASSY (3-046)	1	
B	92200	WING NUT FOR STEEL STRAP DRAIN ASSY. 1/4-20	1	
7	3-059/00	AERATOR, 15/16" MALE HOUSING	1	
	30032/00	AERATOR HOUSING 15/16" MALE HOUSING	1	
	30031	AERATOR DROP-IN INSERT 1.5 GPM	1	
	30030	RUBBER SEAL WASHER AERATOR	1	
8	92163	SET SCREW, CONE PT 8-32 X 1/8" L	4	
9	P01031/00	K160/D100 BALL F/HANDLE	2	
10	P01032/00	K160 LEVER FOR HANDLE	2	
C	P02004/00	K190X2 COVER PLATE	2	
12	P03019/00	K120 SPOUT BASE	1	
13	P03024NL/00	SPOUT, SMOOTH	1	
14	P04009	POP UP KNOB F/DORALFE SPOUT	1	
15	P34002	C-WASHER FOR TEE LESS SPOUT	1	
16	P34003	3/8-27 NIPPLE F/TEE LESS SPOUT	1	
17	P34004	2" EXTENTION NUT F/TEE LEES SPOUT	1	
D	18	P34005	GASKET FOT TEE LESS.	1
	19	P39001	HEX KEY 5/64, FOR 8-32 SET SCREW	1



ZONE	REV.	DESCRIPTION	DATE	APPROVED
REVISIONS				
1261 LOGAN AVENUE COSTA MESA, CALIFORNIA 92626 PHONE: 714.361.4800 FAX: 714.617.3120		PHYL RICH®	<b>PROPRIETARY AND CONFIDENTIAL</b> <small>THE INFORMATION CONTAINED IN THIS DRAWING IS THE SOLE PROPERTY OF RSS MANUFACTURING. ANY REPRODUCTION IN PART OR AS A WHOLE WITHOUT THE WRITTEN PERMISSION OF RSS MANUFACTURING IS PROHIBITED.</small>	
Defining Luxury Since 1959				

NEXT ASSY		USED ON		INTERPRET GEOMETRIC DIMENSIONING & TOLERANCING IN ACCORDANCE WITH ASME Y14.5-2009 & ASME Y14.41-2003 STANDARDS, UNLESS OTHERWISE SPECIFIED. DIMENSIONS ARE IN INCHES. TOLERANCES ARE:		
APPLICATION		FRACTIONS ±1/64"	DECIMALS X.X: ±.1 X.XX: ±.01 X.XXX: ±.005	ANGULAR ±.5°		
MATERIAL	NAME		DATE		SIZE	ASM/PRT NO.
	LLO		9/9/2013		<b>A</b>	D200/00
FINISH		DRAWN	CHECKED		SCALE: 1:5	WEIGHT: lbs.
DO NOT SCALE DRAWING		GRE			SHEET 2 OF 3	

**WIDESPREAD FAUCET, REVERE & SAVANNAH, LEVER HANDLE (100-01/00)**

REV -